

PS4

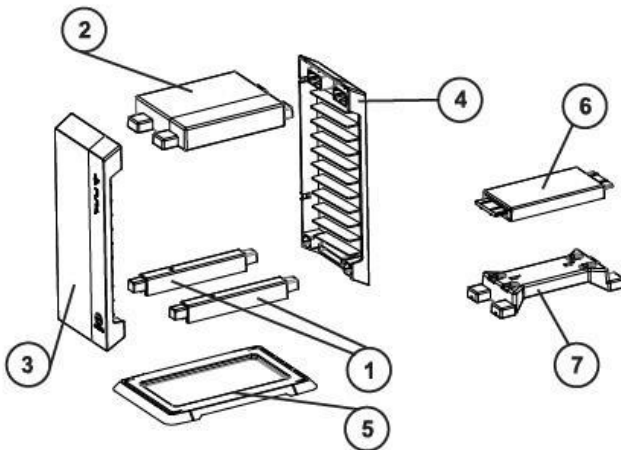
Premium Storage Tower

FEATURES

- Stores up to 10 game cases, Blu-Rays or DVDs

PREMIUM STORAGE TOWER PARTS

- 1x top section (2)
- 1x bottom section (1)
- 1x left side section (3)
- 1x right side section (4)
- 1x bottom plate (5)
- 1x bottom connector section (6)
- 1x top connector section (7)



INSTRUCTIONS (STORAGE UNIT)

- Slide the 2x bottom sections (1) and top section (2) into the left side section (3) as shown
- Carefully position right side section (4) in line with assembly and attach firmly
- Position completed structure onto bottom plate (5)
- Do not apply excessive force when attaching sections. They should slide together with relative ease.

STACKING TOWER ASSEMBLY

Please note - requires purchasing of additional tower units

- When assembling the top tower, insert the bottom connector section (6) into the slot inbetween the 2x bottom sections (1)
- When assembling the bottom tower, rather than using the top section (2), use the top connector section (7)
- Complete the stacking by placing the top tower above the bottom tower, then sliding bottom connector (6) on the top tower into place on the top connector (7) on the bottom tower.

WARRANTY INFORMATION

Worldwide, Rubber Road Ltd warrants to the consumer that this Numskull product will be free from material defects and manufacturing flaws for a period of two (2) years from the original date of purchase. Should the product appear to be defective during the warranty period, immediately contact Technical Support, who will indicate the procedure to follow. If the defect is confirmed, the product must be returned to its place of purchase (or any other location indicated by Technical Support). Within the context of this warranty, the consumer's defective product will, at Technical Support's option, be either repaired or replaced. Where authorized by applicable law, the full liability of Rubber Road Ltd and its subsidiaries (including for indirect damages) is limited to the repair or replacement of the Numskull product. The consumers legal rights with respect to legislation applicable to the sale of consumer goods are not affected by this warranty. This warranty shall not apply: (1) if the product has been modified, opened, altered or has suffered damages as a result of inappropriate or abusive use, negligence, an accident, normal wear, or any other cause not related to a material defect or manufacturing law; (2) in the event of failure to comply with the instructions provided by Technical Support; (3) to software not published by Rubber Road Ltd, said software being subject to a specific warrant provided by its publisher. Retain this information, colours and decorations may vary.

These goods come with guarantees that cannot be excluded under the Australian Consumer Law and New Zealand Consumer Guarantees Act. You are entitled to a replacement or refund for a major failure and compensation for any other reasonably foreseeable loss or damage. You are also entitled to have the goods repaired or replaced if the goods fail to be of acceptable quality and the failure does not amount to a major failure.

If purchased in Australia or New Zealand, this product comes with one year (12 months) warranty from date of purchase. Defects in the product must have appeared within one year from date of purchase, in order to claim warranty. All warranty claims must be facilitated back through the retailer of purchase in accordance with the retailers returns policy and procedures. Any expense incurred as a result of returning the product to the retailer of purchase are the full responsibility of the customer.

AUSTRALIA

Bluemouth Interactive
Level 2, 2 Darl
South Yarra
VIC 3141, Australia
Phone: (03) 9867 2666
Email - Support@bluemouth.com.au
Visit - www.bluemouth.com.au

NEW ZEALAND

Fiveight Distribution Ltd
Unit B, 39 Westpoint Drive
Hobsonville
Auckland 0618, New Zealand
Phone: (64) 9 479 1530
Email - info@fiveight.co.nz
Visit - <http://www.fiveight.co.nz>



PS4

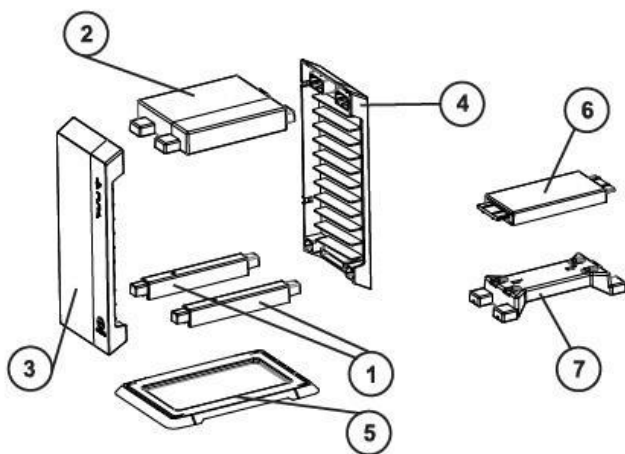
Tour de rangement premium

Contenu:

- Stocke jusqu'à 10 boîtiers de jeu, Blu-Ray ou DVD

PIÈCES DE LA TOUR DE RANGEMENT PREMIUM

- 1x partie supérieure (2)
- 1x section inférieure (1)
- 1x partie gauche (3)
- 1x section latérale droite (4)
- 1x plaque inférieure (5)
- 1x section de connecteur inférieur (6)
- 1x section de connecteur supérieur (7)



INSTRUCTIONS (UNITÉ DE RANGEMENT)

- Glissez les deux sections inférieures (1) et la partie supérieure (2) dans la section latérale gauche (3), comme illustré
- Positionner délicatement la section latérale droite (4) en ligne avec le montage et fixer fermement
- Position de la structure terminée sur la plaque inférieure (5)
- N'appliquez pas de force excessive lors de la fixation des sections. Ils devraient glisser ensemble avec une relative facilité.

ASSEMBLAGE DE LA TOUR EMPILABLE

S'il vous plaît noter-nécessite l'achat d'unités de tour supplémentaires

- Lors de l'assemblage de la tour supérieure, insérer la partie inférieure du connecteur (6) dans la fente entre les sections inférieures du 2x (1)
- Lors de l'assemblage de la tour inférieure, au lieu d'utiliser la partie supérieure (2), utilisez la partie supérieure du connecteur (7)
- Terminez l'empilement en plaçant la tour supérieure au-dessus de la tour inférieure, puis en glissant le connecteur inférieur (6) sur la tour supérieure en place sur le connecteur supérieur (7) sur la tour inférieure.

PS4

DE

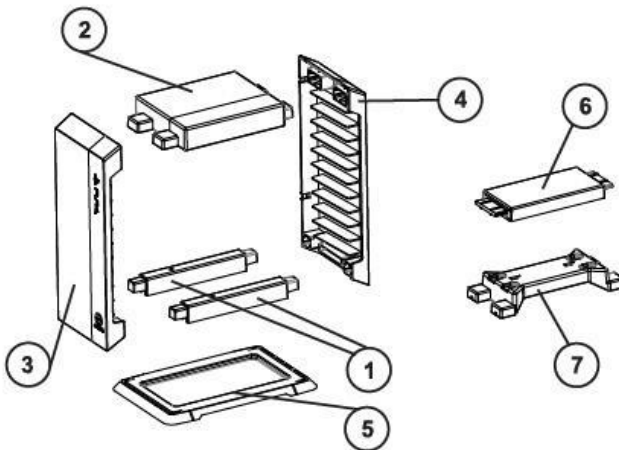
Premium aufbewahrungs-tower

FEATURES

- Speichert bis zu 10 Spielsachen, Blu-Rays oder DVDs

PREMIUM AUFBEWAHRUNGS-TOWER

- 1x Oberteil (2)
- 1x Bodenteil (1)
- 1x linke Seite (3)
- 1x rechte Seite (4)
- 1x Bodenplatte (5)
- 1x Bodenverbinder-Abschnitt (6)
- 1x oberer Steckverbinderbereich (7)



ANLEITUNG (SPEICHEREINHEIT)

- Schieben Sie die 2x-unteren Abschnitte (1) und den oberen Abschnitt (2) in den linken Seitenabschnitt (3), wie gezeigt
- Die rechte Seite (4) mit Montage und fester Befestigung vorsichtig positionieren
- Position fertige Struktur auf Bodenplatte (5)
- Verwenden Sie keine übermäßige Gewalt, wenn Sie Abschnitte befestigen. Sie sollten relativ einfach zusammen gleiten.

STADIONMONTAGE

Bitte beachten Sie, dass der Kauf von zusätzlichen Turmeinheiten erforderlich ist.

- Bei der Montage des oberen Turms den unteren Steckerabschnitt (6) in den Schlitz zwischen den 2x unteren Abschnitten (1) einlegen.
- Bei der Montage des unteren Turms, anstatt den oberen Abschnitt (2) zu verwenden, verwenden Sie den oberen Steckerabschnitt (7)
- Vervollständigen Sie das Stapeln, indem Sie den oberen Turm über dem unteren Turm platzieren, dann gleiten Sie den unteren Stecker (6) auf den oberen Turm in den oberen Stecker (7) auf den unteren Turm.

PS4

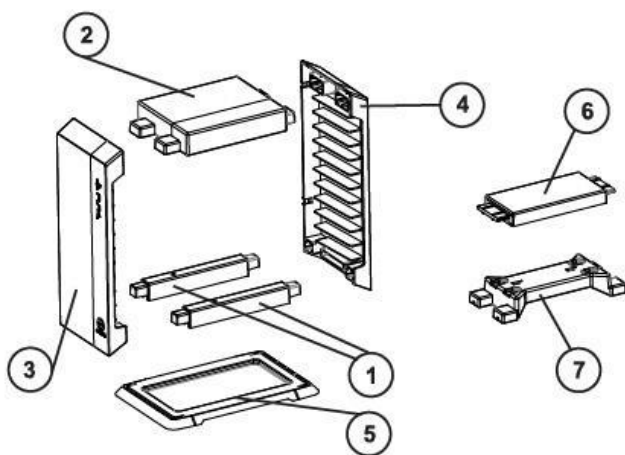
Torre porta giochi premium

CONTENUTO

- Torre porta giochi premium

INCLUIDO

- 1x sezione superiore (2)
- 2x sezioni inferiori (1)
- 1x sezione laterale sinistra (3)
- 1x sezione laterale destra (4)
- 1x piastra inferiore (5)
- 1x sezione di connessione inferiore (6)
- 1x sezione di connessione superiore (7)



INSTRUCCIONES

- Deslice las secciones inferiores 2x (1) y la sección superior (2) en la sección lateral izquierda (3) como se muestra
- Coloque cuidadosamente la sección del lado derecho (4) en línea con el ensamblaje y fije firmemente
- Posición de la estructura terminada en la placa inferior (5)
- No aplique demasiada fuerza cuando fije las secciones. Deben deslizarse junto con relativa facilidad.

ENSAMBLAJE DE LA TORRE APILABLE

Tenga en cuenta-requiere la compra de unidades de torre adicionales.

- Al ensamblar la torre superior, inserte la sección del conector inferior (6) en la ranura entre las 2 secciones inferiores (1)
- Al ensamblar la torre inferior, en lugar de utilizar la sección superior (2), utilice la sección del conector superior (7)
- Complete el apilamiento colocando la torre superior por encima de la torre inferior, luego deslice el conector inferior (6) en la torre superior en su lugar en el conector superior (7) en la torre inferior.

PS4

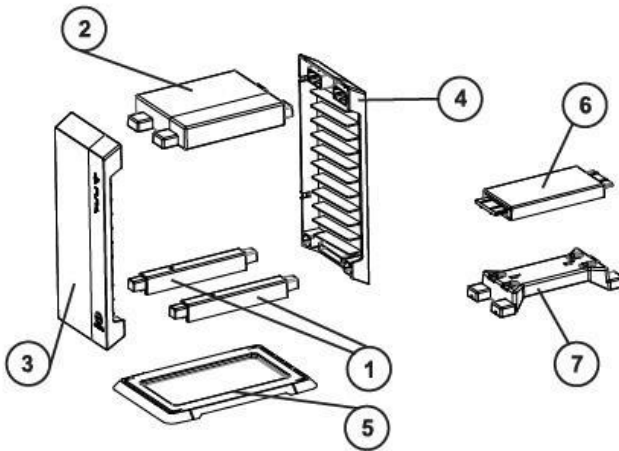
Torre de almacenamiento

CONTENIDO:

- Almacena hasta 10 casos de juego, Blu-rays o DVDs

TORRE DE ALMACENAMIENTO

- 1x sección superior (2)
- 1x sección inferior (1)
- 1x sección lateral izquierda (3)
- 1x sección lateral derecha (4)
- 1x placa inferior (5)
- 1x sección del conector inferior (6)
- 1x sección del conector superior (7)



INSTRUCCIONES

- Deslice las secciones inferiores 2x (1) y la sección superior (2) en la sección lateral izquierda (3) como se muestra
- Coloque cuidadosamente la sección del lado derecho (4) en línea con el ensamblaje y fije firmemente
- Posición de la estructura terminada en la placa inferior (5)
- No aplique demasiada fuerza cuando fije las secciones. Deben deslizarse junto con relativa facilidad.

ENSAMBLAJE DE LA TORRE APILABLE

Tenga en cuenta-requiere la compra de unidades de torre adicionales

- Al ensamblar la torre superior, inserte la sección del conector inferior (6) en la ranura entre las 2 secciones inferiores (1)
- Al ensamblar la torre inferior, en lugar de utilizar la sección superior (2), utilice la sección del conector superior (7)
- Complete el apilamiento colocando la torre superior por encima de la torre inferior, luego deslice el conector inferior (6) en la torre superior en su lugar en el conector superior (7) en la torre inferior.